

Projektør på tripod

Varenr. 5746



Læs manualen grundigt og gem den til senere brug.



ADVARSEL: Fare for elektrisk stød. Brug aldrig produktets kabel i nærheden af

vand eller hvor større vandsamlinger; hold f.eks. altid min. 4 meters afstand til f.eks. pool og spa. Sørg for at holde stik tørre til hver en tid. Brug kun kabler der er beregnet til udendørs brug, hvis projektøren benyttes udendørs.



ADVARSEL: Reducér risikoen for ildebrand, elektrisk stød eller

personskade.

- Ground Fault Circuit Interrupter (GFCI) protection should be provided on the circuit(s) or outlet(s) to be used for wet location work light. Receptacles are available having the built-in GFCI protection and are able to be used for this measure of safety.

- Use only with an extension cord for outdoor use, such as an extension cord of cord type: **H05RN-F 3G1.0MM²**
- Do not look directly at the lighted lamps to avoid eye injuries.
- Always keep the work light away from any flammable surface or materials.
- Always check damaged or worn-out parts before using the work light. Broken parts will affect the work light operation. Replace or repair damaged or worn parts immediately. If repairs are needed, consult a professional electrician.
- Do not use a pressure washer to clean this product.
- Do not modify the work light in any way. Unauthorized modification may impair the function and/or safety and could affect the life of the product. There are specific applications for which the work light was designed.
- Store work light in a secure place out of the reach of children. Inspect it for good working condition prior to storage and before re-use.




Sikkerhedsadvarsler

Projektøren er ikke et legetøj - lad ikke børn lege med den.

Der må kun udføres reparationer på projektøren af en fagmand. Udskift aldrig selv dele på projektøren - dette af sikkerhedsmæssige årsager. Desuden fratager reklameretsretten, hvis der er udført uautoriserede reparationer på produktet.

Projektøren må ikke benyttes, hvis lampeglasset, kablet eller andre vitale dele er i stykker.

Sådan tolkes symbolerne

	Produktet er CE-certificeret.
	Læs af sikkerhedsmæssige årsager manualen grundigt før projektøren tages i brug.
	Dette produkt må ikke kasseres med det almindelige husholdningsaffald, men skal afleveres på den lokale genbrugsstation i henhold til gældende WEEE-direktiver.

Teknisk data

Spænding	230V ~ 50 Hz
Effekt:	30 +15+15 W
Lumen	2400+1200+1200
Farvetemperatur	6500 Kelvin
Tæthedsklasse	IP 44
Kabel	H05RN-F 3G1.0 mm ²

Original instructions

Major components

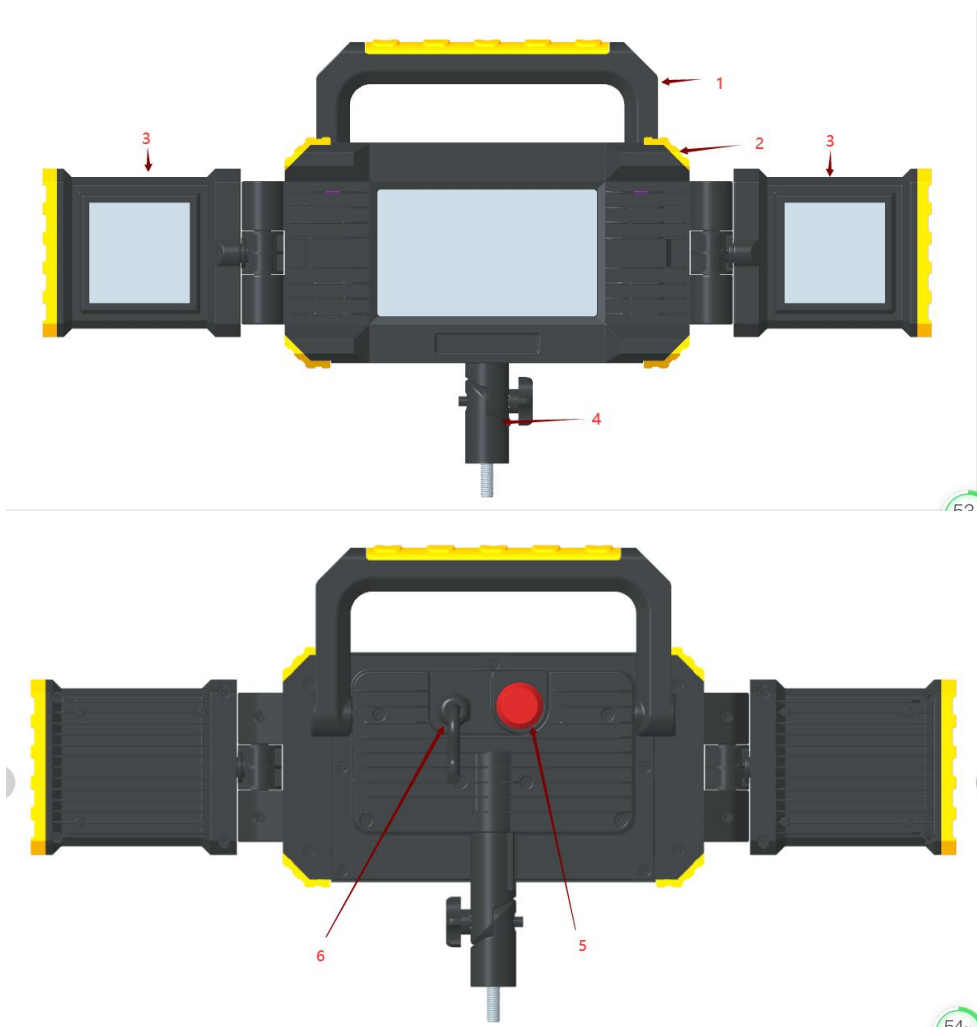
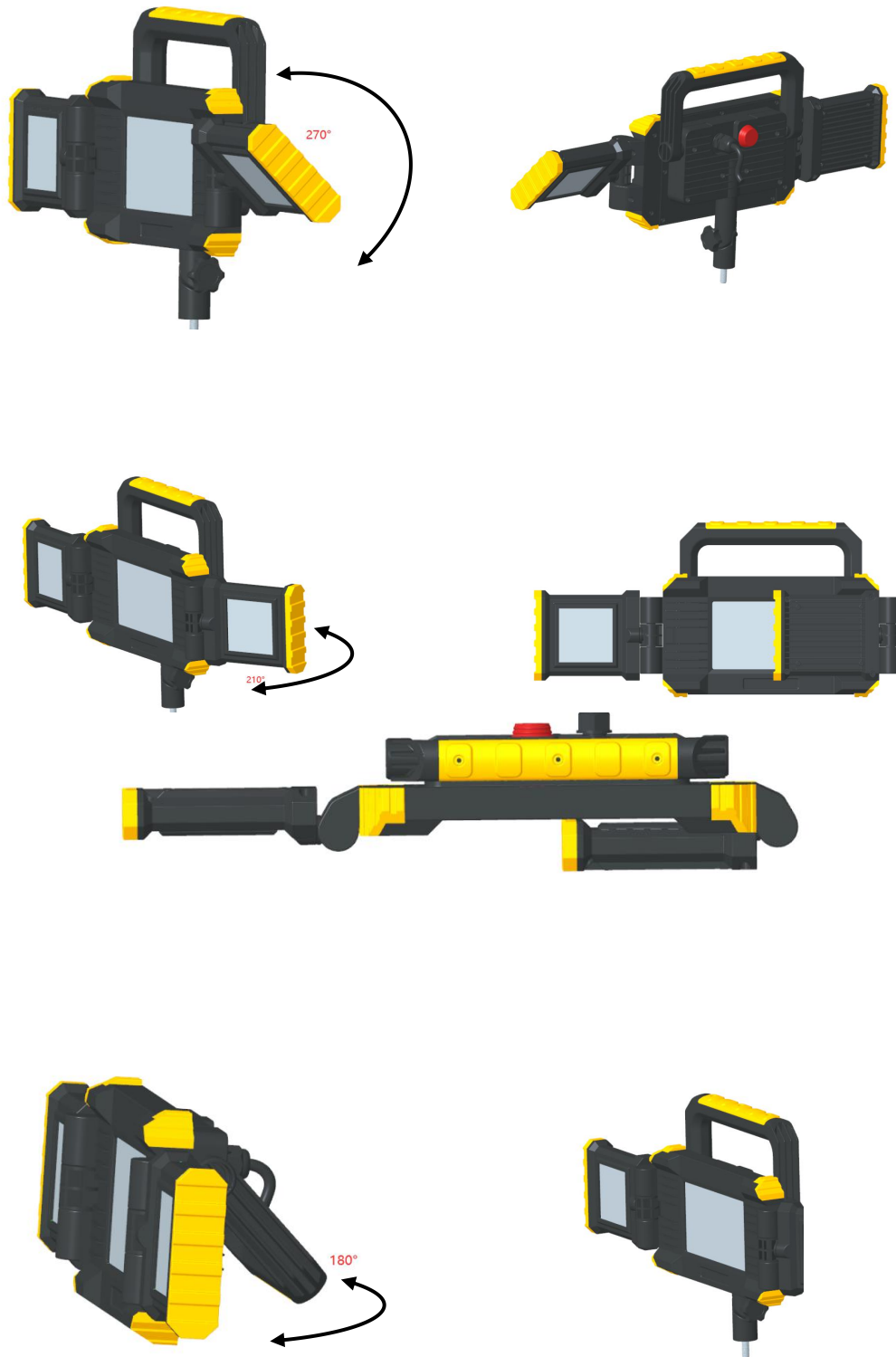


Fig.1

1. Handle
2. 30W Work Light
3. 2x15W Work Light
4. Bracket connector
5. Switch
6. Cable+Plug

Original instructions

OPERATION (Fig. 2)



Original instructions



Fig. 2

ADJUSTING THE LIGHT DIRECTION

To adjust the light direction, adjust the work light head to the desired position.

TURN THE LED WORK LIGHT ON

Before working with the work light, check that the voltage shown on the light's model plate is the same as the mains voltage being used.

MAINTENANCE

Your work light requires very little care and maintenance. Simply clean the lens regularly with a non-abrasive cleaner.

Use the similar care for the stand.



WARNING: Always make sure the work light is unplugged and complete cool before attempting to clean it.



WARNING: If the supply cord of this light is damaged, it must be replaced only by a qualified service technician.

RECYCLING



Meaning of crossed –out wheeled dustbin:

Do not dispose of electrical appliances as unsorted municipal waste, use separate collection facilities. Contact you local government for information regarding the collection

Original instructions

systems available. If electrical appliances are disposed of in landfills or dumps, hazardous substances can leak into the groundwater and get into the food chain, damaging your health and well-being.